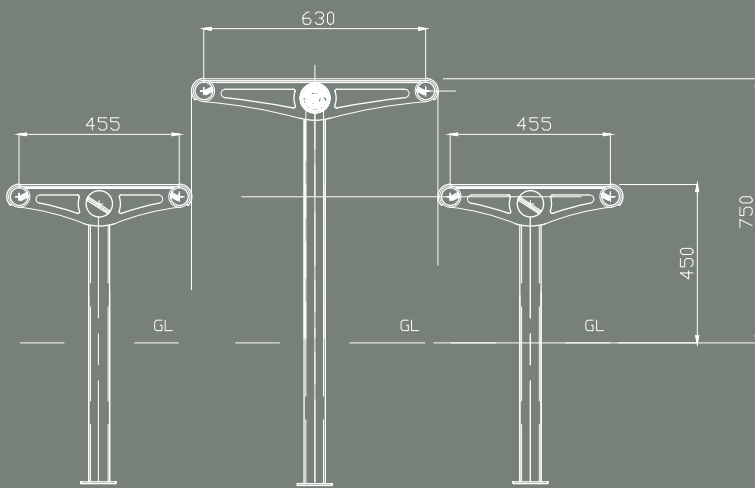


# Tula Picnic Sets



ELEVATION

## TECHNICAL DATA

The Tula picnic set, available in both mild steel and stainless steel blends seamlessly into a parks environment and allows for increased usage of the open public space.

Inspired by the strength and rigidity of 21st-century airframe construction, the Tula picnic set is engineered to endure all weather conditions whilst providing excellent support. GF5230

### Size Options

1800mm standard length. The picnic bench is also available in bespoke heights to create a standing table for environments such as parks, playgrounds, pubs and other leisure facilities.

### Variations

A choice of colour from our standard range

### Leg Mounting Options

Surface	GF5230-01
Sub-surface	GF5230-02
Spigot	GF5230-03

### Other Options

Seat end logos GF511

