

# Magpie Litter Bin



## TECHNICAL DATA

Our Magpie Litter Bins are available with a capacity of 45L or 85L. The top and liner are galvanised mild steel while the body is a stainless steel construction powder coated with one of 26 standard colours, our Magpie Litter Bins were engineered for all weather performance and outstanding durability.

### Size Options

45L capacity	GF3000
85L capacity	GF3003

### Variations

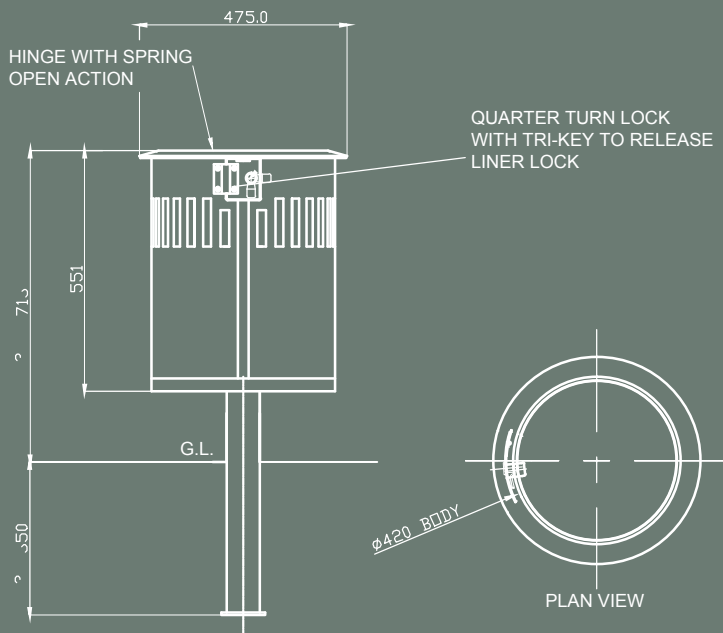
A choice of colours from our Standard Range.

### Mounting Options

Spigot	-02
--------	-----

### Other Options

N.A.



SPIGOT MOUNTED TYPE  
FRONT ELEVATION

