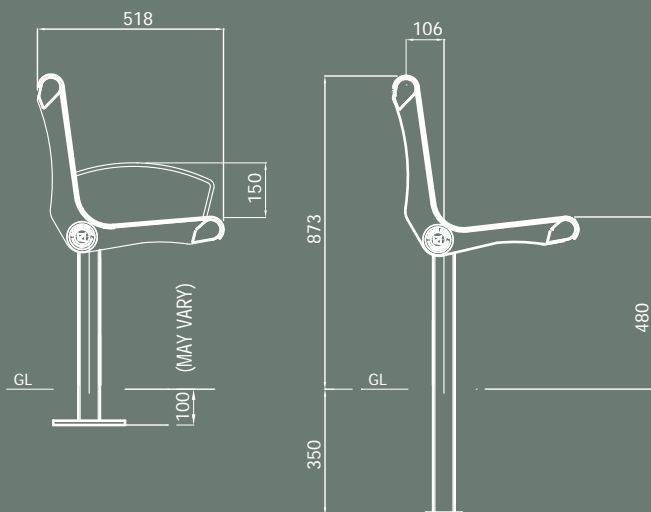
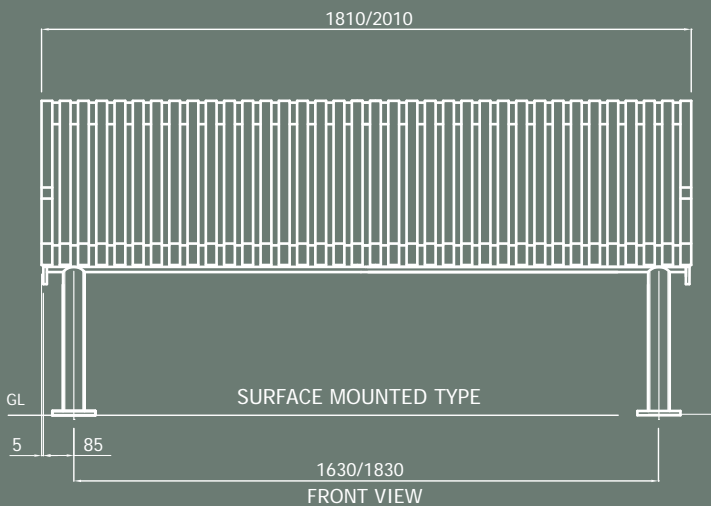


Lander Mild Steel Seat



SUB-SURFACE MOUNTED TYPE
TYPICAL ELEVATION
WITH MANNHEIM ARM

SPIGOT MOUNTED TYPE
TYPICAL ELEVATION

TECHNICAL DATA

With its hot-dip galvanised, colour-coated mild steel construction, the striking angular profile of Lander makes an impressive statement...yet still manages to look – and feel – welcoming and comfortable. And it takes on an even more inviting appeal with the addition of the optional Mannheim or Florentine-styled arm.

Size Options

1810mm standard length (<i>as shown</i>)	GF5100
2010mm standard length	GF5110
Other lengths to special order	

Variations

A choice of colours from our Standard Range

Leg Mounting Options

Surface	-01
Spigot	-02
Sub-Surface	-03

Other Options

Arm rests - Mannheim Style (<i>see right photo</i>)	GF501
- Florentine Style (<i>see left photo</i>)	GF502
Memorial plaques	GF510
Seat end logos	GF511

