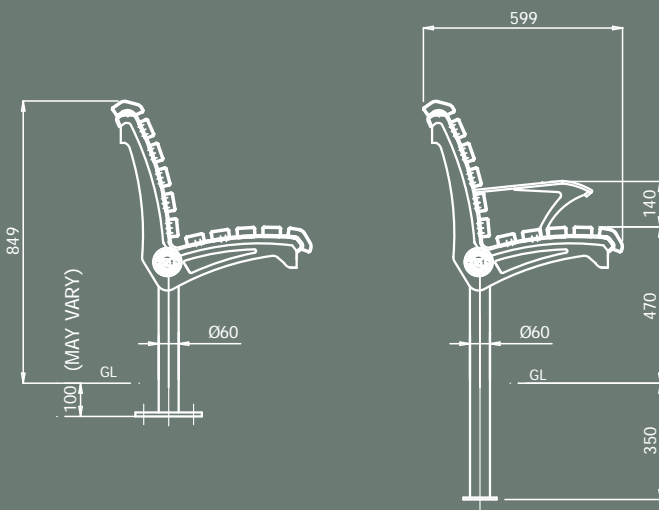
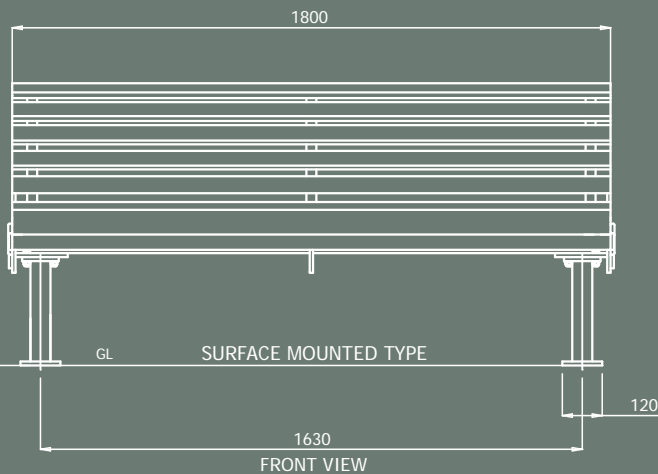


Magellan Timber Slatted Seat



SUB-SURFACE MOUNTED TYPE
TYPICAL ELEVATION

SPIGOT MOUNTED TYPE
TYPICAL ELEVATION
WITH ARMREST

TECHNICAL DATA

With a satin polished stainless steel frame and hardwood slats from renewable sources, Magellan combines graceful curves and contours with impressive strength and all-weather durability in a seat designed for comfort, style...and outstanding performance.

Magellan is also available fitted with arms styled after Lalique's Spirit of the Wind

Size Options

1800mm standard length

GF5003

Variations

N/A

Leg Mounting Options

Surface

-01

Spigot

-02

Sub-Surface

-03

Other Options

Arm rests

GF504

Memorial plaques

GF510

Seat end logos

GF511

